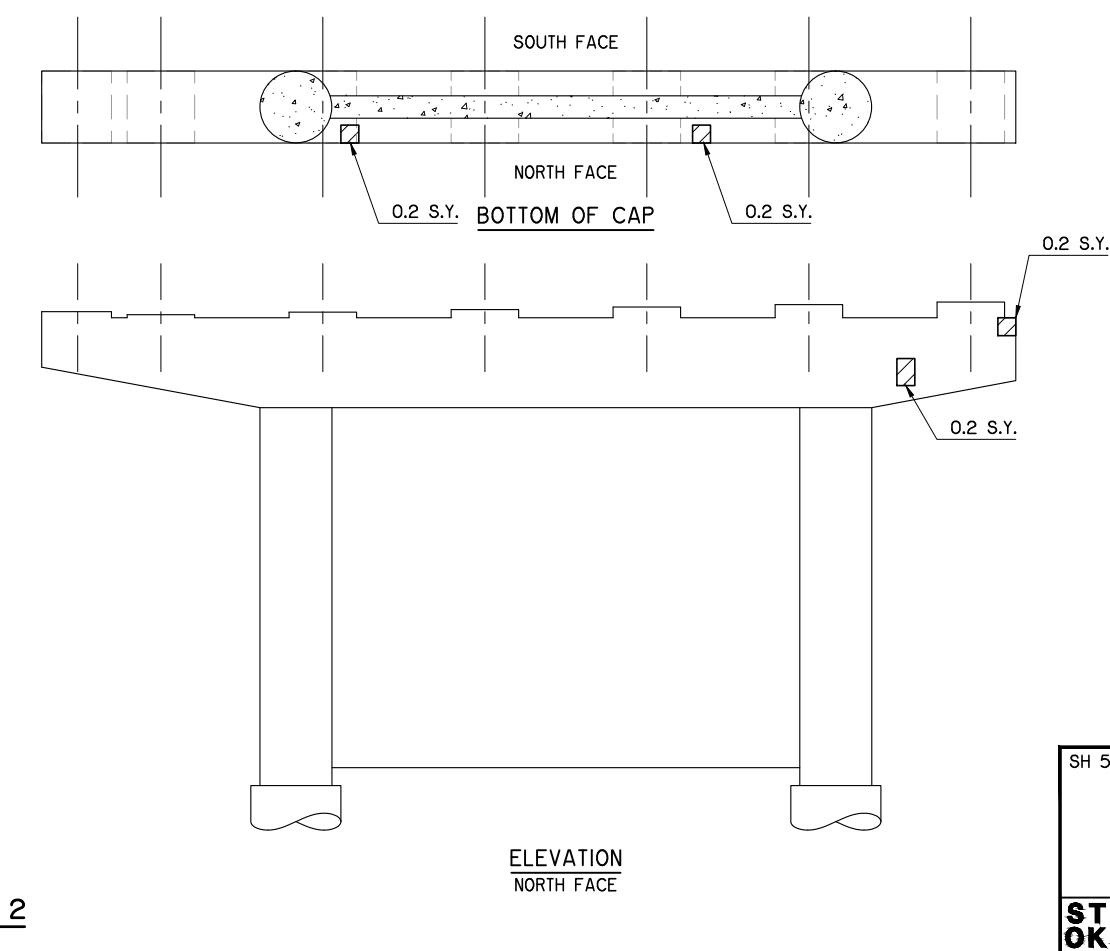
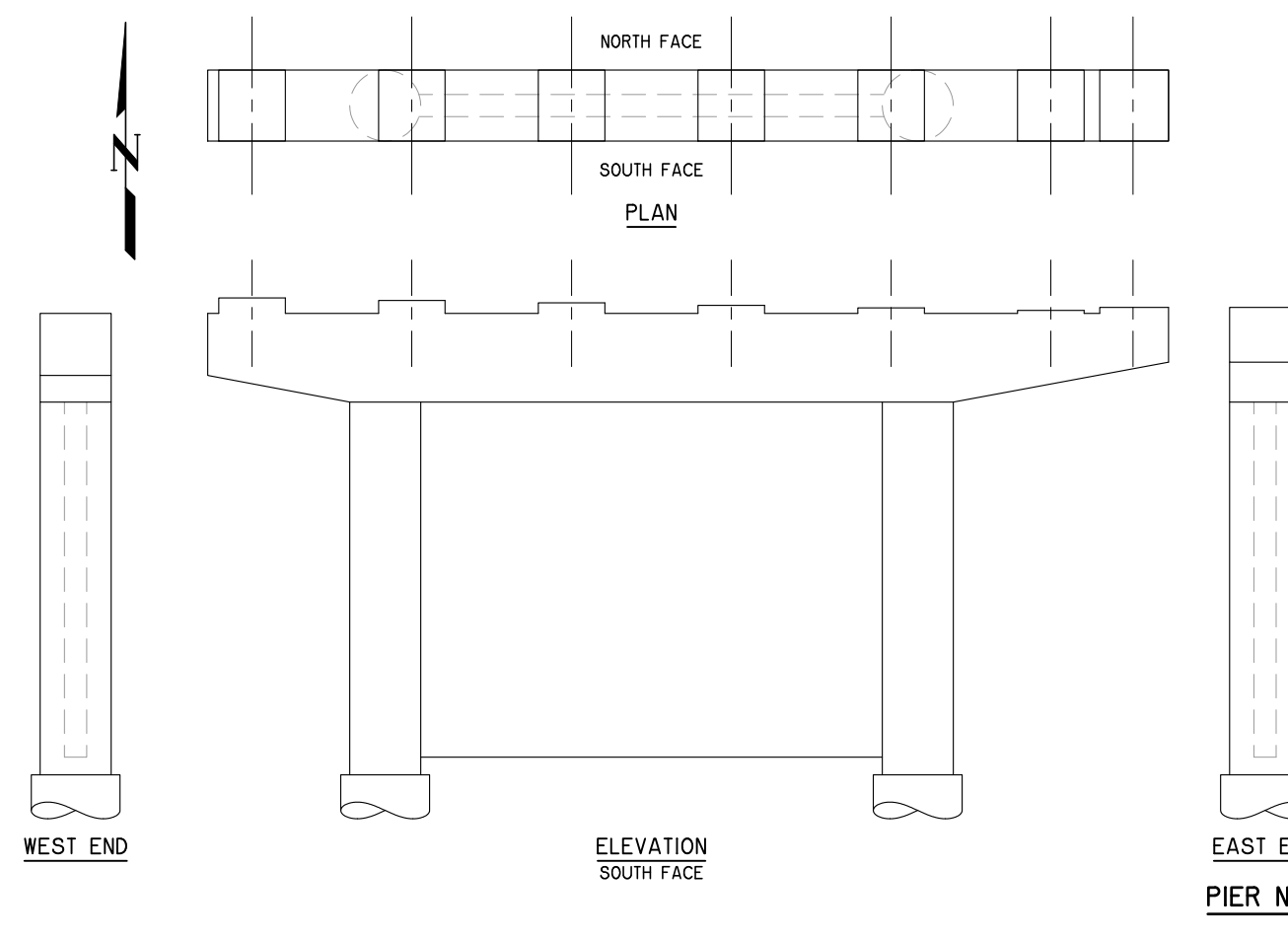
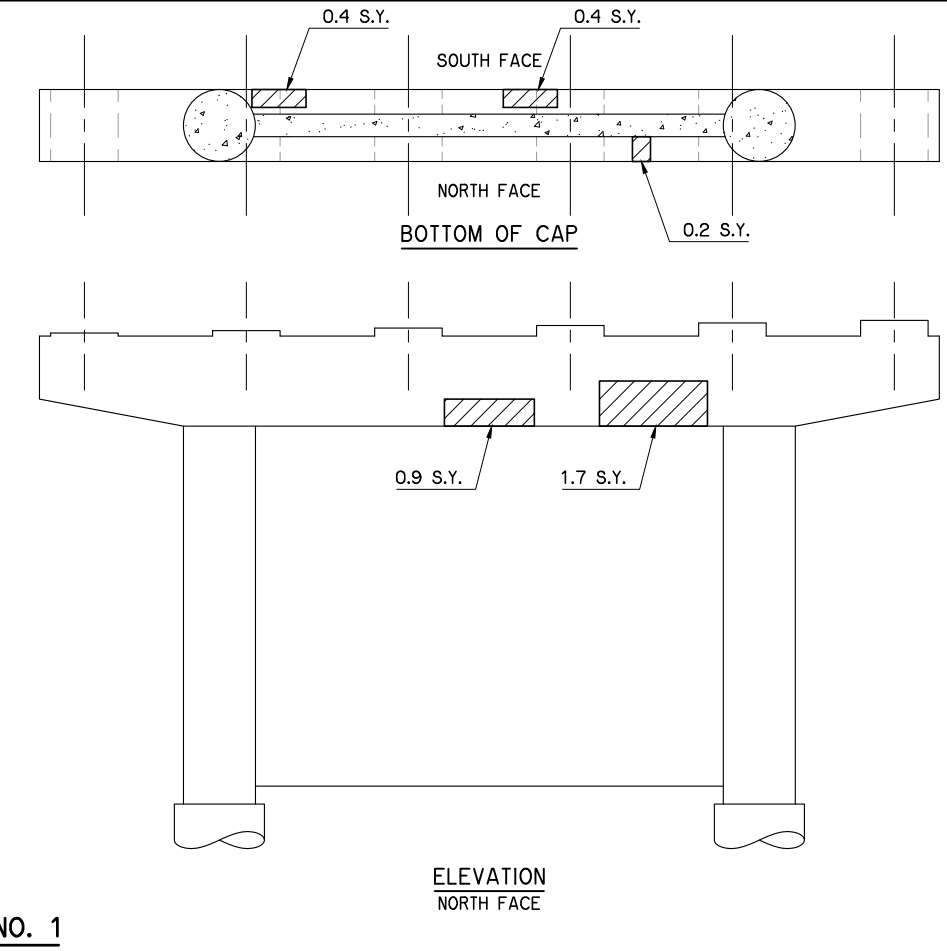
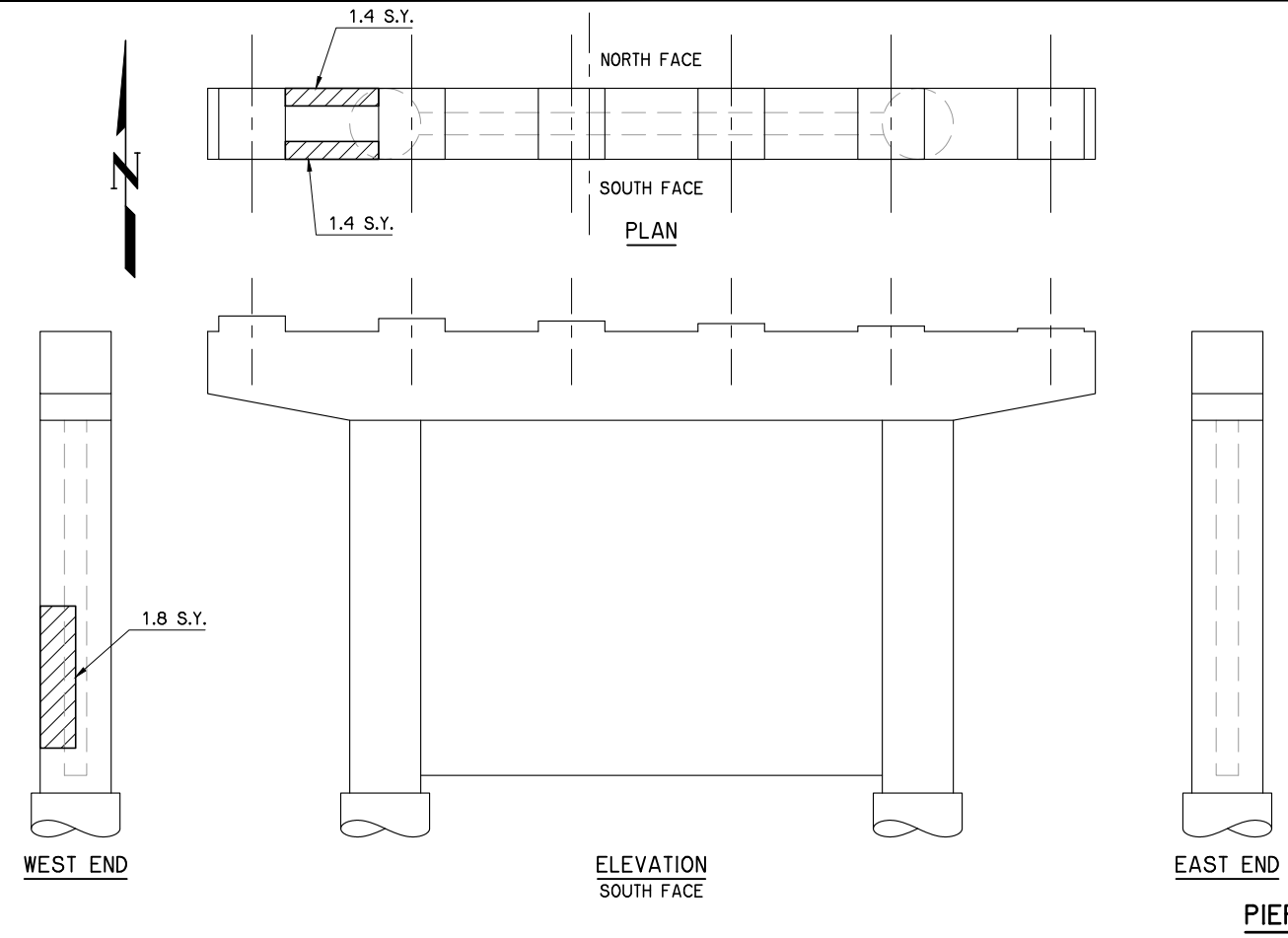


REVISIONS		
REV. NO.	DESCRIPTION	DATE



**LEGEND**

	PREPARATION OF CRACKS (ABOVE WATER)
	REPAIR BRIDGE ITEMS

SH 51 NB OVER ARKANSAS RIVER	TULSA COUNTY	Design	ADT
<b>PIER REPAIR DETAILS</b> PIER NO. 1 AND NO. 2		Detail	FEZ
		Check	ADT
STATE OF OKLAHOMA		WHITE ENGINEERING ASSOCIATES	
DEPARTMENT OF TRANSPORTATION		JOB PIECE NO. 31358(04)	
SHEET NO. 13			

I:\Active\1626\Drawings\13 Pier 1 & 2.dwg, 6/12/2017 11:10:18 AM, Fred